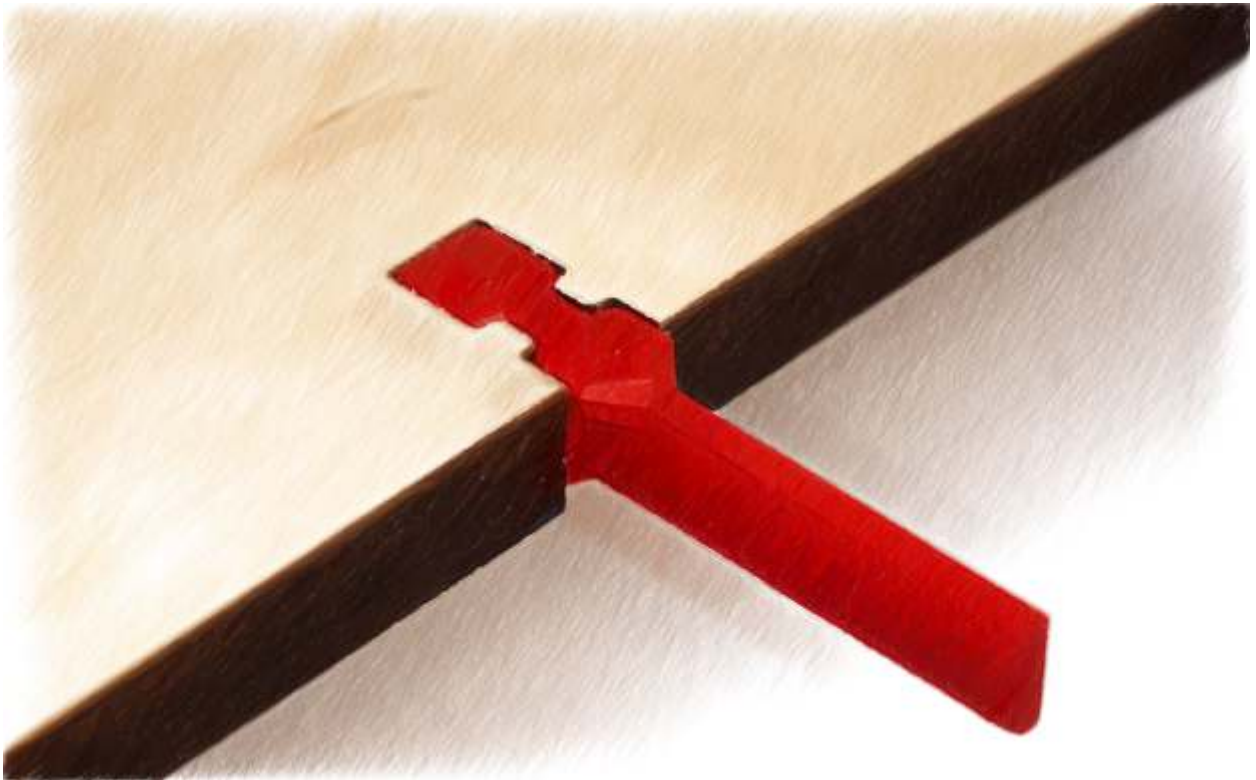


COMPASS

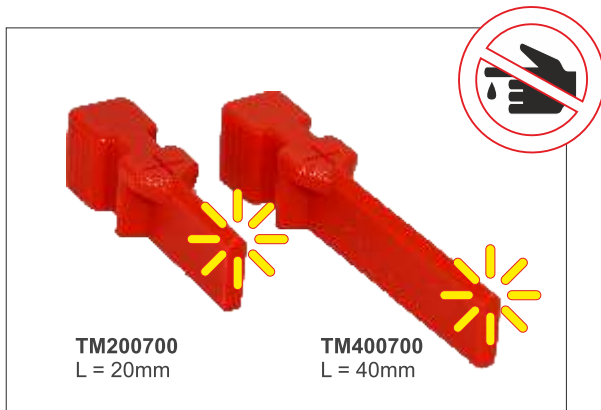
sep'knife



safe & effective

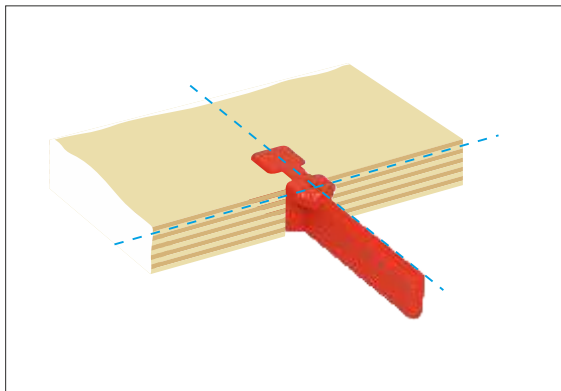
safe separating of side edge with **sep'knife**

pat.pend.



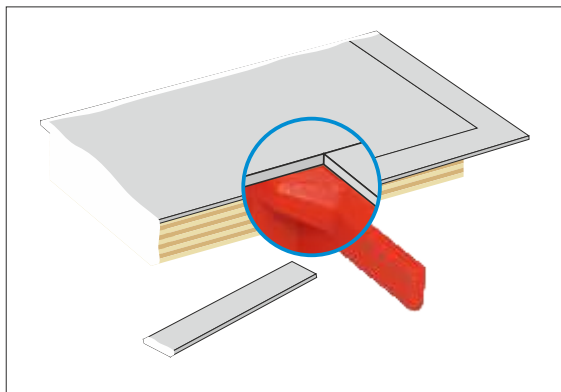
sep'knife

- ▶ available in two lengths: 20mm + 40mm (0.8" + 1.6")
- ▶ solid for long runs
- ▶ compatible to similar cut-outs
- ▶ no sharp-edged parts avoid risk of injury



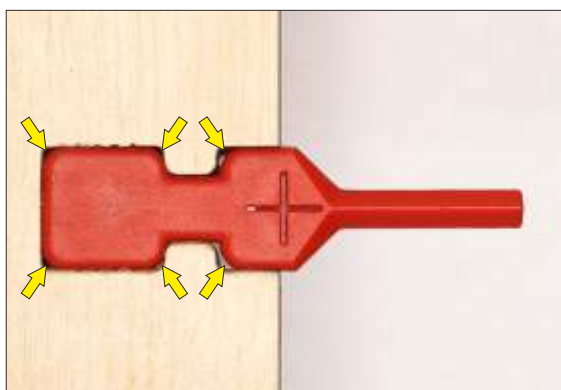
sep'knife

- ▶ just stick by hand in the cut-out
- ▶ register cross mark on top of each sep'knife allows quick- and exact check the position between sheet to female stripping board without special tools during set-up



sep'knife

- ▶ register cross mark on top of each sep'knife allows quick- and exact check the position between sheet to female stripping board without special tools during set-up



sep'knife

- ▶ radiused edges for use in milled or laser boards

