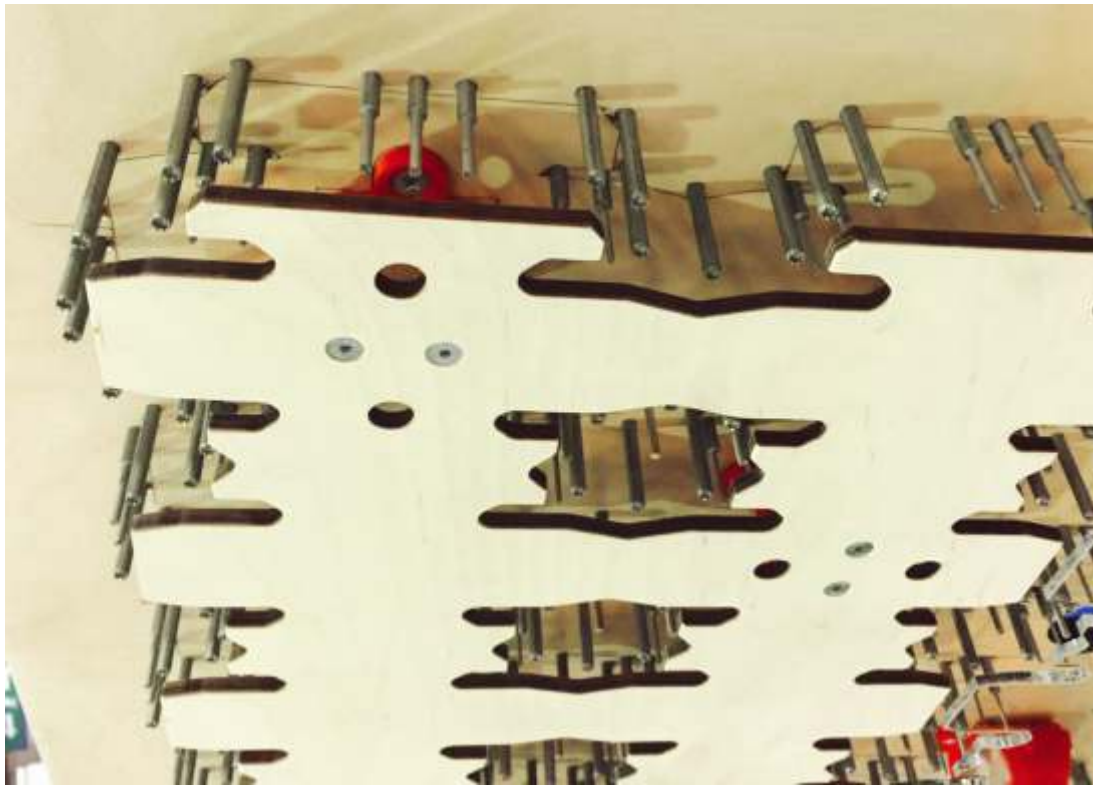


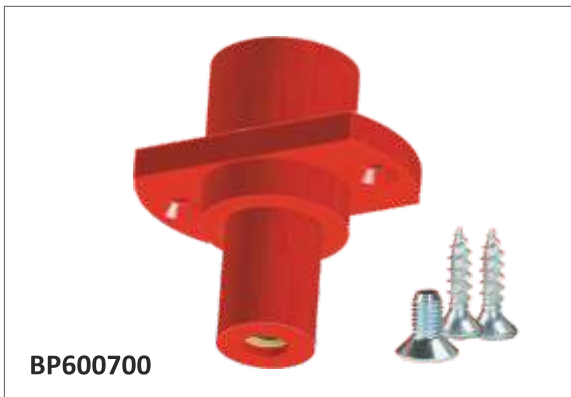
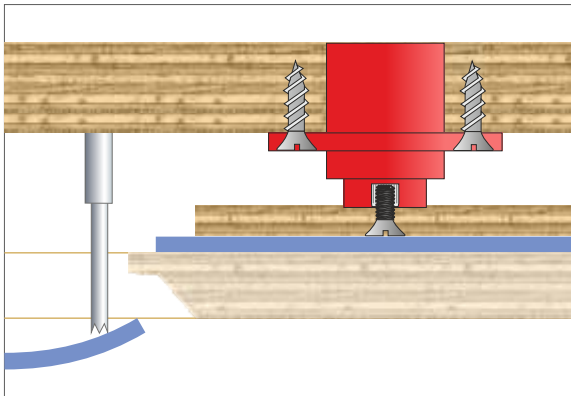
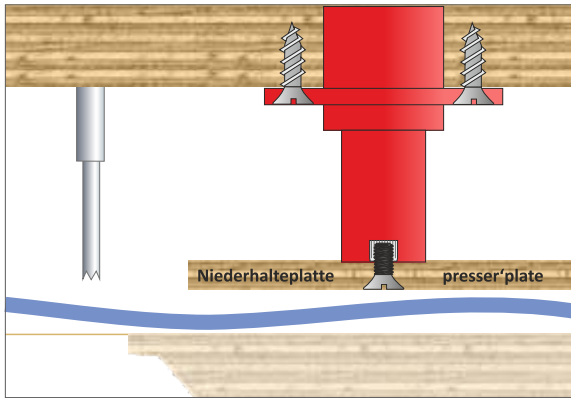
COMPASS

box'presser



keeps sheets flat!

better sheet output in stripping by using **box'presser**



- self-contained function unit consisting of presser plate and **box'presser**-spring elements in the upper stripping form as replacement for mostly punctual acting foam
- **box'presser** is a 2-part, telescopic spring element consisting of solid synthetic material with an efficient, built-in coil spring
- rapidly acting coil spring allows an ideal function also for high speed runs
- less machine stopps due to jammed waste
- keeps uneven sheets flat while stripping with the presser plate
- excellent for high speed die cutters for carton and e-flute
- presser plate can be made of plywood or solid synthetic material
- easy mounting to the upper stripping form
- retrofit for existing stripping forms
- additional advantage: despite extensive pressure on the lower stripping form less pressure on the machine components (frames, gearing etc.) which reduces the wearing significantly

